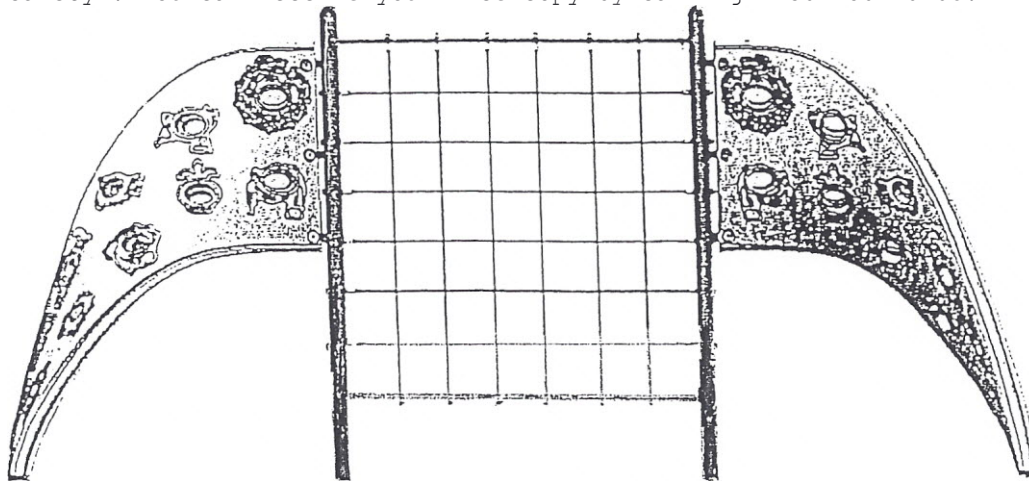


PLEASE READ THESE INSTRUCTIONS BEFORE COMMENCING ASSEMBLY.

Please retain this instruction sheet in your files. It contains important replacement parts information. All equipment must be installed in accordance with these instructions. It is important to use and maintain all public playground equipment properly. Playground equipment, which is improperly maintained, can cause serious injury. Periodical inspections, maintenance, repair and/or replacement of damaged parts are necessary for safe operation of equipment. Appropriate publications, available at no charge, from the Consumer Product Safety Commission, include "A Handbook for Public Playground Safety". You can receive your free copy by calling 1-301-504-0708.



Use Zone 17'5"

x 34'

1 CTN		Hardware Box	16		M10 x 60 Hex Bolts
1 PLT	2	Aztec Plastic Panels	40		M10 Nylon Lock nuts
	2	Vertical Connecting Poles	56		Flat washers M10
	2	Rope connecting Poles	24	905-847	Flat bolt caps
	2	Aztec panel ground anchors	32	905-848	Radius bolt caps
	1	Climbing rope	20		M10 x 30 Button Head Bolts
	6	Panel Mounting Brackets	1		6mm Hex Key
			44		Eye bolts
			22		"D" shackles
			1	805-532	Warning Label
			1	805-534	Sportsplay Label

1 SKID

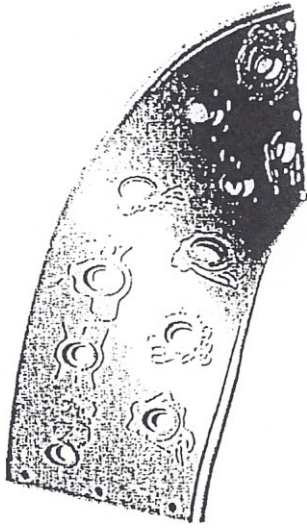
400# WEIGHT

CLASS 70

SportsPlay Equipment Inc., 8505 Delmar Blvd., Ste G, University City, St. Louis, MO 63124

(800) 727-8180

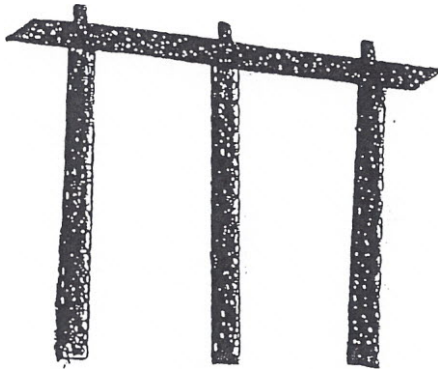
www.sportsplayinc.com



Aztec Plastic Walls
(2 Pieces)

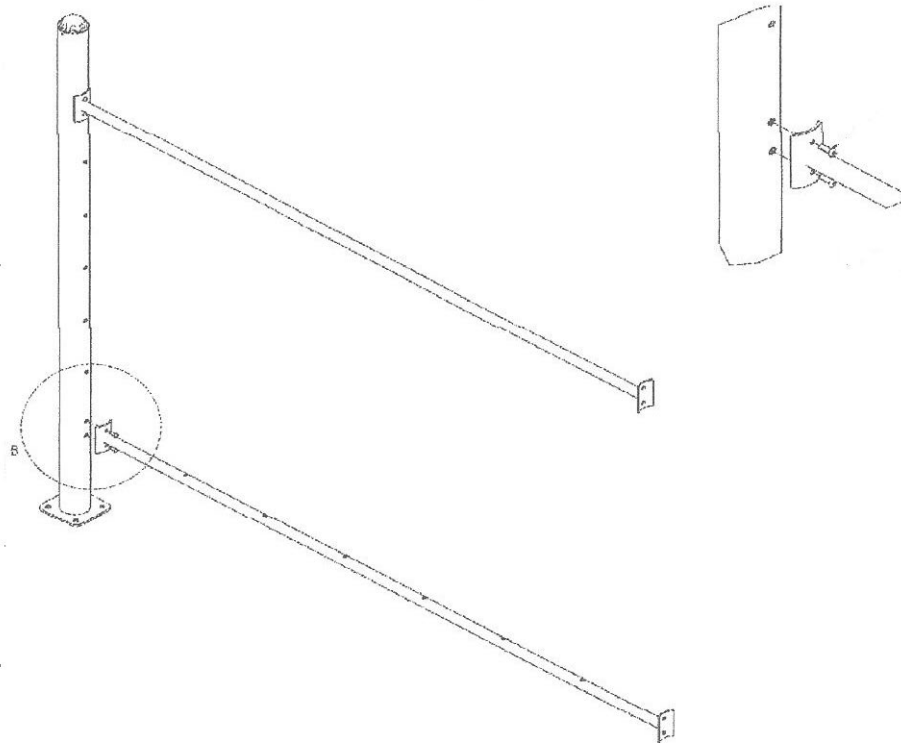
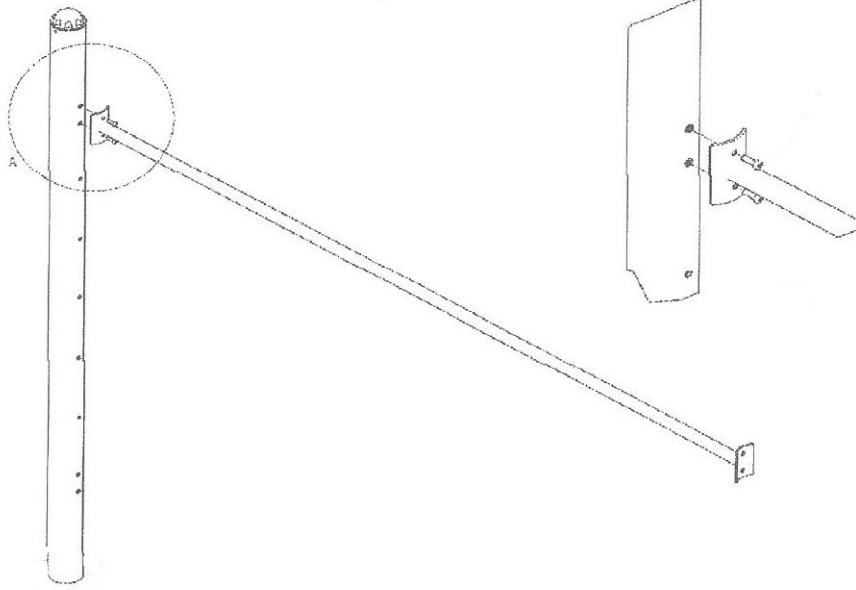


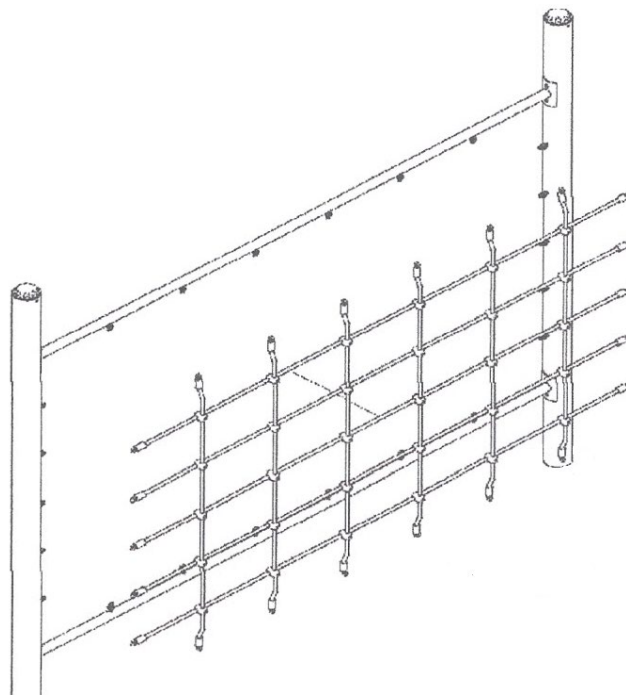
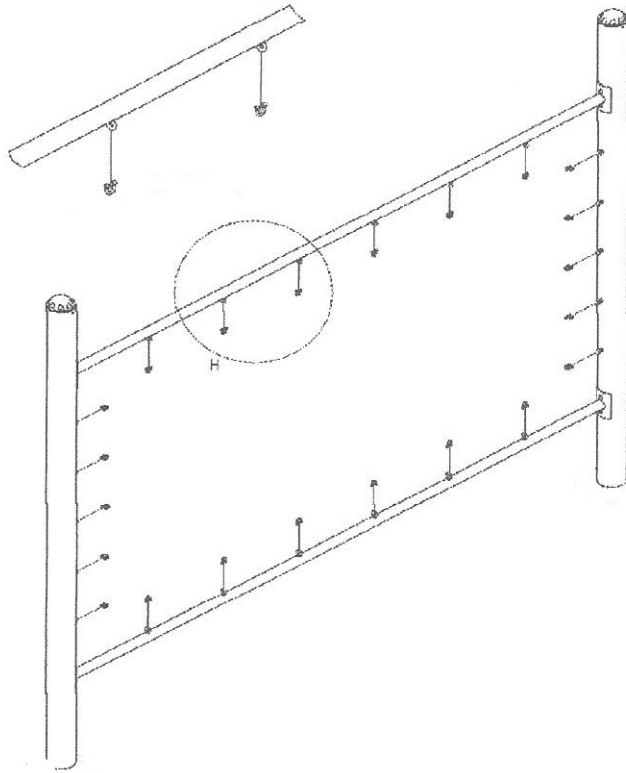
Vertical Connecting
Poles (2 Pieces)



Ground Anchors (2 Pieces)

Rope Connecting Poles (2 Pieces)

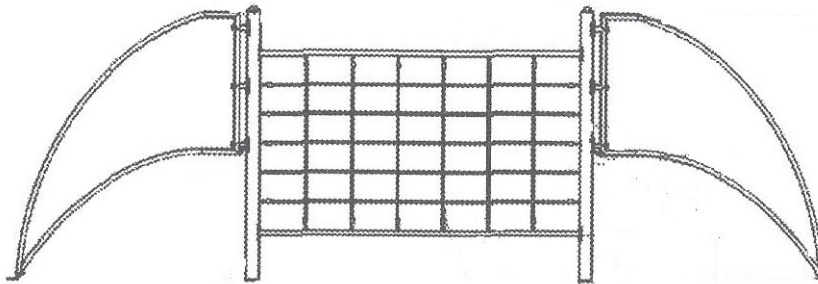
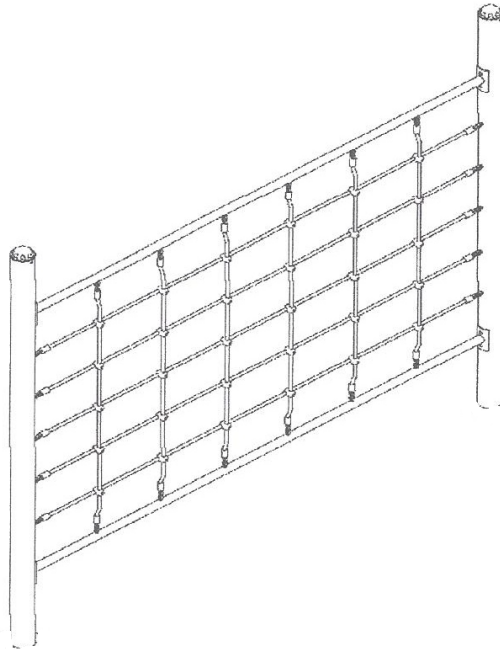




SportsPlay Equipment Inc., 8505 Delmar Blvd., Ste G, University City, St. Louis, MO 63124

(800) 727-8180

www.sportsplayinc.com



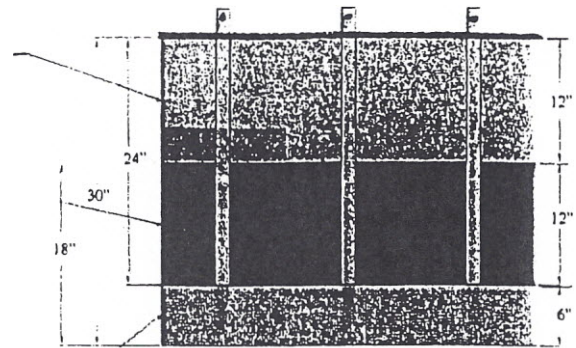
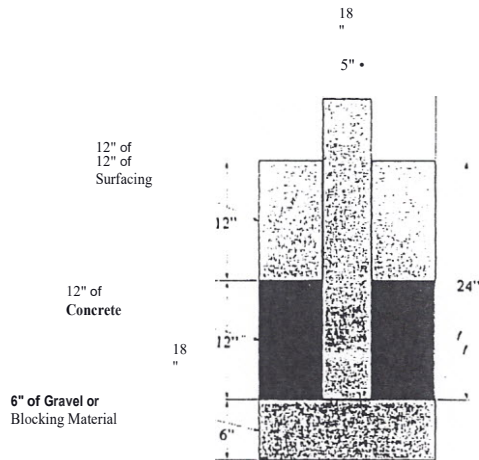
GENERAL FOOTING RECOMMENDATIONS:

Diameter and depth of footings illustrated are satisfactory in most applications for pipe sizes up to 5" diameter. Varying soil & climatic conditions may require deeper and heavier footings in some areas. Check local building codes.

1.

Detail:
Single Post Footing Detail

Detail:
3 Ground Bracket Footing



Surf.cinr

14" of
concrete
6" of Gravel or
Blocking Material

~ If resilient surfacing is to be less than 12", then additional pipe should be put in concrete to maintain proper finish grade for equipment.

GENERAL MAINTENANCE INSTRUCTIONS:

Check MONTHLY for loose bolts, damaged or broken parts. Tighten and/or replace immediately. Replace any parts that show a reduction of 25% from the original size.

GENERAL ASSEMBLY INSTRUCTIONS:

Check all the parts and hardware with the packing list to be sure you have received everything needed to assemble this product. CONTACT YOUR LOCAL DISTRIBUTOR WITH NOTIFICATION OF ANY MISSING OR DAMAGED PARTS. Contact must be made within ten days of receipt of your order. Only hand-tighten nuts & bolts on initial assembly. Final tightening should be done EVENLY after final assembly when unit has been plumbed & leveled.

SportsPlay Equipment Inc., 8505 Delmar Blvd., Ste G, University City, St. Louis, MO 63124

(800) 727-8180

www.sportsplayinc.com

After assembly is complete, ANY ENDS OF BOLTS PROTRUDING BEYOND NUTS SHOULD BE CUT OFF AND/OR PEENED OVER TO REMOVE ANY SHARP EDGES. Go over entire unit to file smooth any sharp edges or projections that may have been caused by rough handling in shipping or installation.

ASSEMBLY AND INSTALLATION:

All threaded ends of bolts protruding beyond nuts must be cut off end/or peened to eliminate sharp edges. All washers, "Tit nuts, and other fastener hardware used on round pipe or tubing must be hammered down to conform to the curved underlying surface to eliminate catch points. All Bolts must be covered with Bolt Caps and Covers

NOTE :

STEP #1 Using Footing Diagram as a guide, mark and dig footing holes. Footing holes are to be 1'6" deep x 1'6" diameter, depending upon amount of resilient safety surfacing used, local climate and soil structure, and topography of land.

IMPORTANT: Before Proceeding to Step #2, please complete the attached Supplementary Instructions.

STEP #2 **The orientation of the Vertical Posts is extremely important:** The *inside* of the Posts support the Rope Assembly and the *outside* support the Plastic Panels. There are (2) Bar Brackets per Post (one at the top and one at the bottom). The purpose of the Bar Brackets is for the attachment of the Rope Connecting Bar Assemblies.

STEP #3 Install the Rope Connecting Poles to the Posts with the M10 x 30 BH bolts and washer. Repeat this procedure for the other Pole connections.

STEP #4 Level and prop in position. The centerline of the bottom Panel Mounting Bracket on the Vertical Post should be approximately 47" from top of the finished surfacing (see illustration).

STEP #5 Attach the Net to the Vertical Upright Posts and the Rope Connecting Bars using eyebolts and "D" shackles.

STEP #7 Attach the Plastic Panel to the Ground Anchor by placing the Plastic Panel over the tabs of the Ground Anchor. **Note: The King Figure must be on the lower left (See Figure 3).**

902-760 Two Panel Rope Aztec Climber Supplementary Instructions

Prior to attaching the Plastic Aztec Panels and the Rope Connecting Poles to the Vertical Posts, the installation of the Attachment Brackets is required. Please follow the Supplementary Instructions outlined on these two pages, and review the attached photos during this assembly procedure.

There are a total of 10 preinstalled Rivet Nuts for attaching Brackets on each Vertical Connecting Pole. Each Bracket requires 2 Rivet Nuts per. The (6) Rivet Nuts on one side of the Pole are used for attaching (3) Panel Mounting Brackets. The (4) Rivet Nuts on the opposite side of the Pole are used for attaching the (2) Rope Connecting Poles. The (3) Panel Mounting Brackets will face to the outside of the unit and the (2) Rope Connecting Poles will on the inside **(Photos)**

Using two Button Head Bolts and the 6mm Hex Key, attach a Panel Mounting Bracket to one set of the preinstalled Riv Nuts on a Post. Tighten evenly and securely after both Bolts have been started in the Bracket. Repeat this procedure for the remaining 2 Panel Mounting Brackets on the Pole.

Using two Button Head Bolts and the 6mm Hex Key, attach a Rope Connecting Pole Bracket to one set of the preinstalled Riv Nuts on the Post (see photo). Tighten evenly and securely after both Bolts have been started in the Bracket. Repeat this procedure for the remaining 3 Rope Mounting Brackets.

Follow this installation procedure outlined above for attaching the remaining set of Brackets to the other Vertical Connecting Pole. Ensure that all (6) Panel Mounting Brackets and the (4) Rope Connecting Pole Brackets are in place and firmly tightened. After this sequence has been completed, proceed to Step #2 in the installation instructions.

Caution:

Please do not allow the Plastic Aztec Panels to hang unsupported from the Panel Mounting Brackets, as this will put undo strain on the Brackets.

Listed on Page 1

Additional Packing List for this Supplementary Procedure:

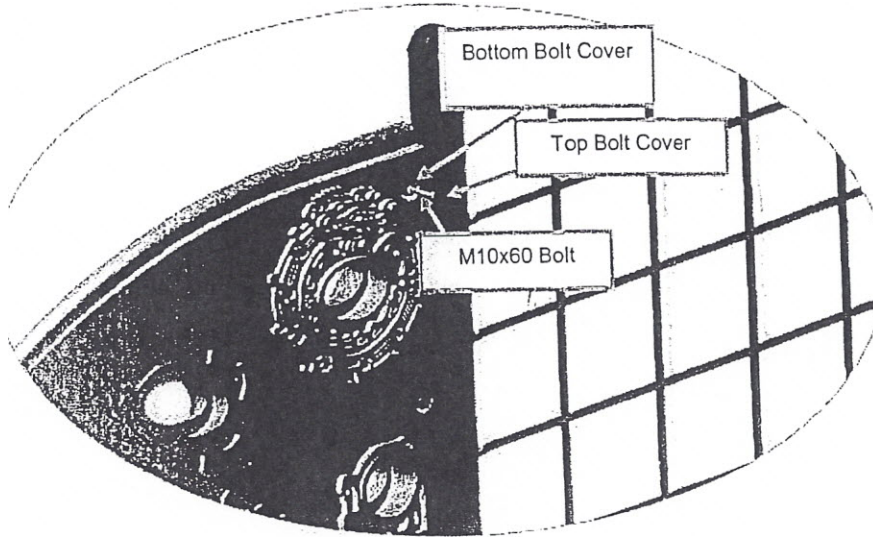
- 6 Panel Mounting Brackets
- 20 MIO x 30 Button Head Bolts
- 1 6mm Hex Key
- 44 Eye bolts
- 22 "D" shackles

902-760 TWO PANEL ROPE AZTEC CLIMBER

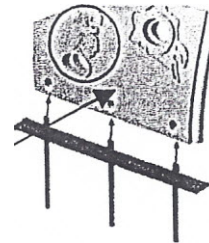
Rev. 04/30/2019

- STEP #8 Secure the Plastic Panel to the Ground Anchor by placing a Hex Bolt and Washer in a Flat (non-radius) Bolt Cap then pushing through the aligned hole in the Plastic Panel and Ground Anchor.
- STEP #9 Fasten by placing a Washer and Nylon Lock Nut in a second Bolt Cap and securing to the Bolt from the opposite side. Repeat for the remainder of the Ground Anchor attachment points.
- STEP #10 Attach the other side of the Plastic Panel to the Vertical Connecting Post utilizing the same fastening technique that was used in Step #8. Once again the Bolt Caps will be flat/non-radius.
- STEP #11 Repeat Steps #8 - #10 for the remaining Plastic Panel.
- STEP #12 Plumb and level entire structure. Fully snug all fasteners. Push Bolt Caps Covers into the Bolt Caps, Pour concrete with slight dome to ensure proper drainage. Wait 48 hours before removing braces. Install Resilient Safety Surfacing.
- STEP #13 Attach Warning Label and Manufacturer's Identification Label to a clean surface. The Labels should be attached in a location where they are clearly visible. The Labels must be replaced if they become illegible, destroyed or removed. Contact your distributor for replacement Labels.

Slide the Aztec Plastic Panels over the tabs on the Vertical Connecting Poles. Fasten using the hardware and Flat Bolt Caps.



NOTE: King figure should face away from center post and at lower left corner by ground anchor.



SportsPlay Equipment Inc., 8505 Delmar Blvd., Ste G, University City, St. Louis,
MO 63124

(800) 727-8180

www.sportsplayinc.com

3.

